


WOODBURNING

# FIREPLACES ~ STOVES ~ INSERTS



Quality Fireplaces



As in years passed, fireplaces prevail as cozy centerpieces around which families gather. Those magical flames warm our hearts and slowly melt into whimsical dreams of adventures and memories yet to come.

In keeping with the advancements in woodburning technology, all of our fireplaces, stoves and inserts not only meet, but exceed EPA (Environmental Protection Agency) standards, assuring an environmentally-friendly, highly-efficient heating source. Time after time, Napoleon has led the way with new and innovative patented technology and our products continuously surpass industry standards not only in appearance but in efficiency, performance and quality. Napoleon is registered under the world-recognized ISO 9002 Quality System Certification.

With **25 years in the hearth industry**, we offer you a wide range of products, all proudly carrying the President's Limited Lifetime Warranty. All of this experience, care and quality results in the creation of fireplaces that possess a timeless and enduring style, worthy of a place in your home.

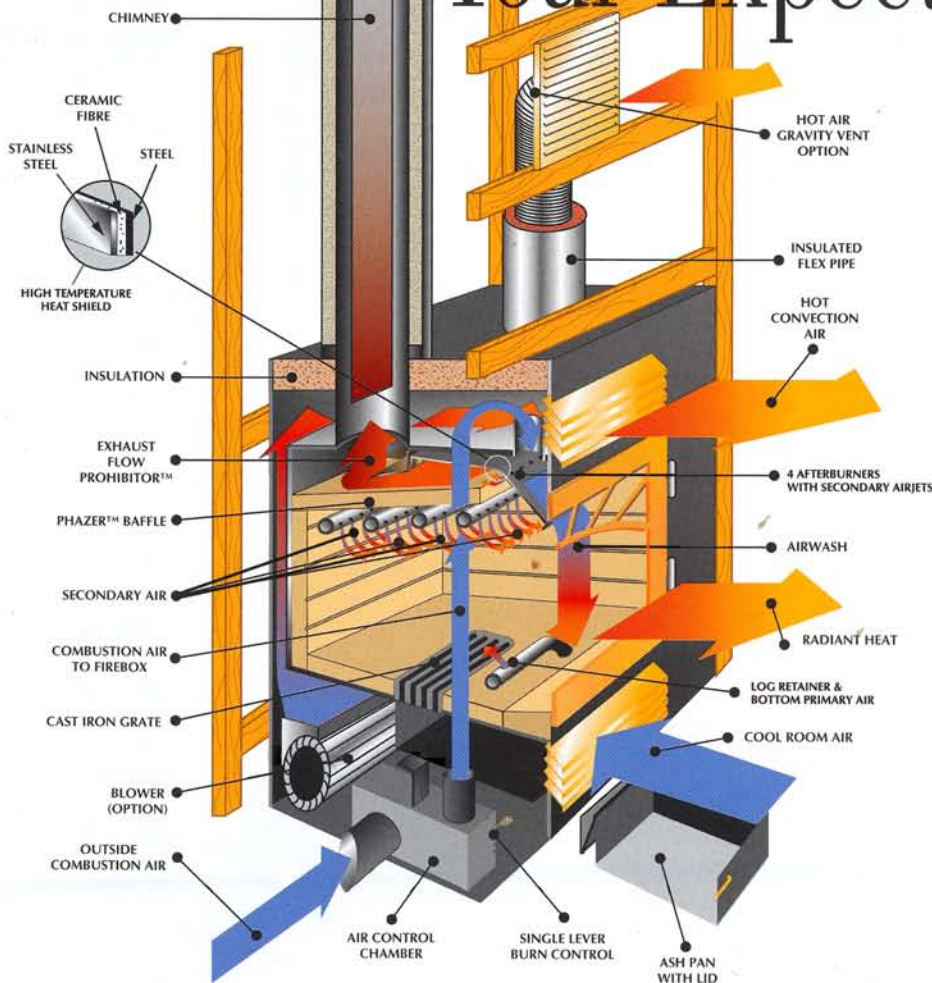
As the largest, privately-owned hearth products and gas grill manufacturer in North America, we welcome you to experience the complete family line-up of Napoleon wood, gas and oil burning fireplaces, inserts and stoves.

Our products are available for viewing at a dealer near you or at [www.napoleonfireplaces.com](http://www.napoleonfireplaces.com)

# From Our Family to Yours

Napoleon...Bringing You Home

# Outperforming Your Expectations



When buying a fireplace, you are interested in more than just looks and energy savings. You're also interested in design options, durability, safety, environmental issues and overall heating comfort. You want a fireplace that will give you the best performance over a long time - You are asking for PRESTIGE® by Napoleon.



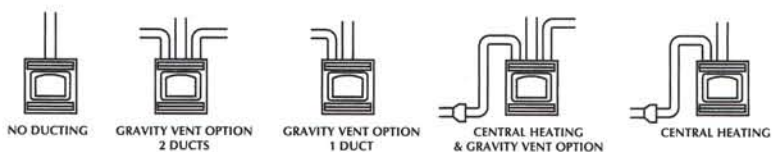
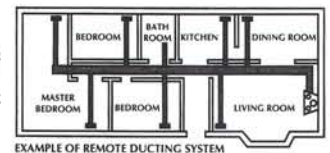
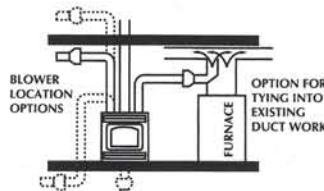
## VERSATILE INSTALLATIONS

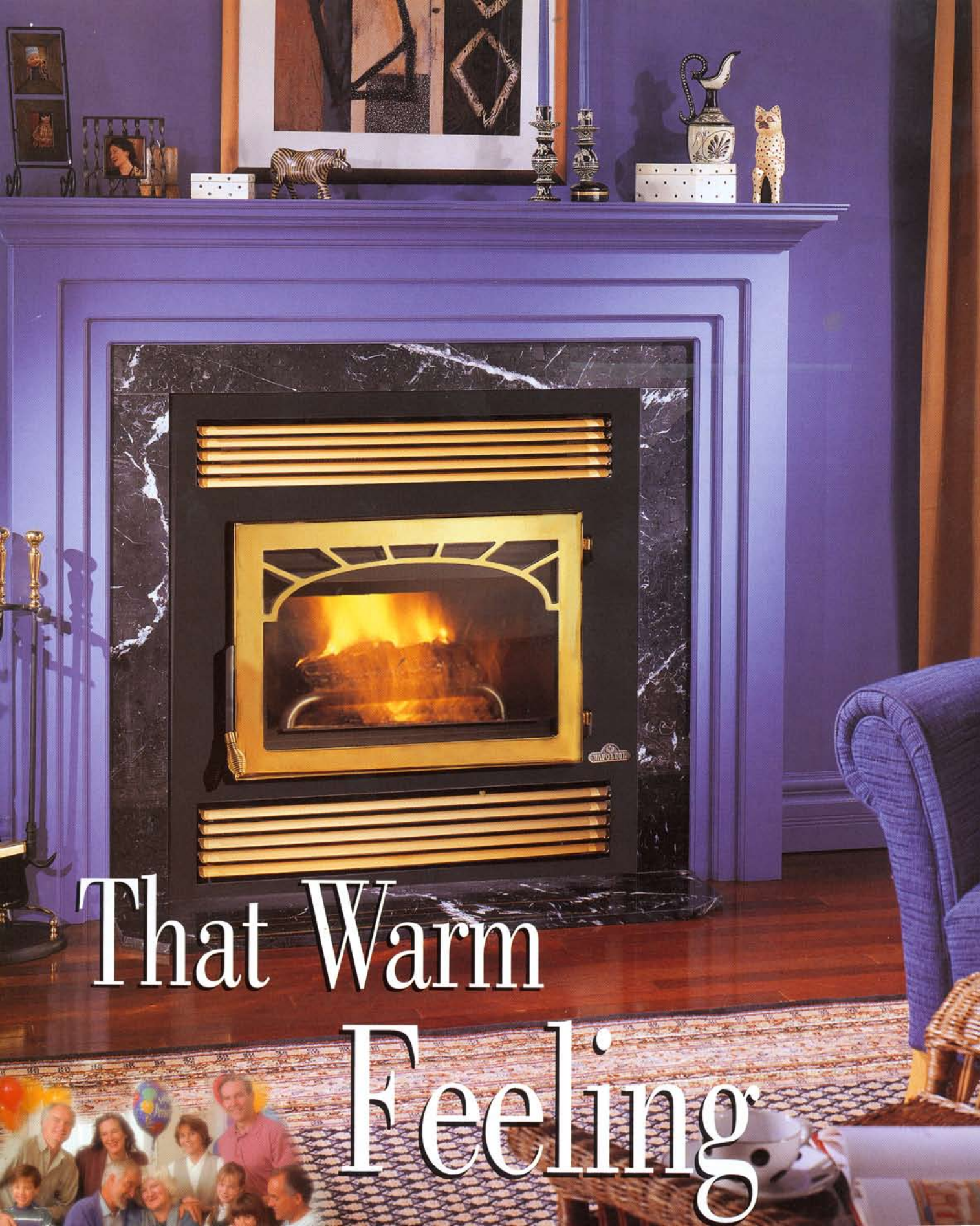
Install as a zero clearance fireplace with factory-built chimney or as a masonry fireplace using an existing or new masonry chimney.

## FOUR DIFFERENT HEATING USAGE OPTIONS

1. Standard installation heats through natural convection.
2. Gravity, hot air vent system to heat adjoining rooms.
3. Central system with thermostatic control for multi-room heating.
4. Thermostatically controlled system connects to existing duct work.

Note: Masonry remote venting options come off the side instead of the top.





That Warm  
Feeling

The **NZ26** wood-burning system provides a convenient flexible heating system without catalytic combustors.

## HI-TECH WOODBURNING

- Air control chamber eliminates negative pressure problems - use inside or outside combustion air.
- Full brick patterned refractory liner retains heat and supports overnight burn.
- Exclusive PHAZER® light weight ceramic baffle.
- Four stainless steel secondary air tubes generate a fascinating display of Yellow Dancing Flames®.
- An "afterburn" just above the baffle using primary air promotes secondary combustion reducing hydrocarbons, tars and smoke in exhaust gases.
- A stainless steel "Exhaust Flow Prohibitor" located just before the flue gas outlet delays the combustion process, extracting maximum heat.

## CONVENIENT AND ELEGANT

- Stainless steel log retainer and primary "bottom air feed" assist in cold start up and to "recharge" a small, dying fire.
- Air wash insulated with ceramic fibre and protected with stainless steel cover plate eliminates deterioration and assures complete combustion, maintaining an extremely clean viewing glass.
- Large door with easy to operate handle.
- Cast iron grate with self-closing ash dump.
- Large "king size" functional ash pan with convenient handles and unique tri-fold lid - lets you dispose of ashes expediently and safely.
- Single lever combustion control with optional motorized thermostat allows for automatic regulation of burn rate.

## SOLID CONSTRUCTION TO LAST

- High temperature ceramic glass, cushioned in a fibreglass airtight frame.
- Heavy duty mig welded construction of prime steel to withstand high temperatures.
- Variable speed switch and heat sensor for optional blower are factory pre-installed.
- Presidents Limited Lifetime Warranty



*Classic arched gold plated door & louvres*



*Spider design black door & black louvres*



*Spider design gold plated door & black louvres*

## DESIGNER OPTIONS

- Louvres available in black paint, polished brass or 24 karat gold plated finish
- Hot Air Vent Louvres in polished brass
- Spider design or classic arched door available in painted black or 24 karat gold plated

◀ *Spider design gold plated door and louvres*

## OUTSTANDING PERFORMANCE AND SAFE, CLEAN WOODBURNING

Safety, quality and clean burning heating performance distinguish Napoleon Fireplaces as a leader in the industry. Napoleon stoves and inserts are designed to provide you not only with outstanding heating qualities and high-tech efficiency but with low emissions as well. For exceptional heating efficiency, dynamic engineering expertise and exquisite, refined design, join the thousands of satisfied Napoleon owners and ... years from now, you'll still be smiling.

# For the Love of Wood Burning!



### COOKMATE

The unique grid pattern moulded into the cast aluminum captures and retains the maximum amount of heat and transfers it directly to your frying pan or pot. The Cookmate simply replaces your existing trivet.



Optional polished brass rails (leg model and Inserts only)

Model 1400, Arizona Almond porcelain enamel with gold plated door

Model 1400 painted black with 24 karat gold plated door and louvres

### THE CHOICE IS YOURS

The 1100 & 1400 series stoves are available as pedestal models or with legs, both with your choice of painted black or gleaming 24 karat gold plated doors. Pedestal stoves including the larger 1900 model, are available in almond, green or black porcelain enamel, featuring 24 karat gold plated louvres as well as the traditional painted black finish with black louvres.

The sleek design of the painted black leg models increases cooking efficiency with a larger surface area. Leg options include contemporary painted black steel legs or ornamental cast iron legs - gold plated or painted black.



Model 1400L with 24 karat gold plated cast iron legs, door and louvres





Model 1100C cast iron with majolica green porcelain finish

## EPA 1100C WOODBURNING CAST IRON STOVE

Fine European castings and Napoleon's advanced wood burning technology and innovative design transform small amounts of wood into large amounts of cozy heat, easily sustaining overnight burns.

The EPA 1100C is available in porcelain enamel majolica green or brown, or traditional painted black finish and features an elegantly arched, early American look, single door with concealed hinges.



**A RELIABLE HEATER THAT ALSO COOKS!**



Model 1400L painted black with 24 karat gold plated door, black louvers and cast iron legs

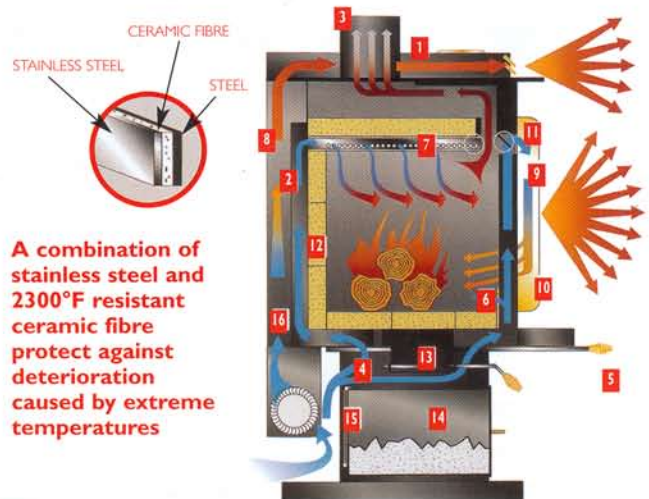


Model 1400L with painted contemporary steel legs, black door and louvers

## IMPRESSIVE FEATURES AND ADVANTAGES

EPA (Environmental Protection Agency) approved with emissions as low as 2.8 grams per hour and 69.8% overall maximum heating efficiency - more heat with less fuel.

1. Napoleon's decorative, full canopy top (on pedestal models) with cooking trivet deflects heat forward into the room while providing an attractive "simmering" spot.
2. Built with confidence to last with fully welded seams using the highest quality of materials; all covered under the President's Limited Lifetime Warranty.
3. Economical 6" flue on even the largest models, assures you of efficiency and cost saving installations.
4. Appealing pedestal base provides a well concealed inlet for combustion air which can be drawn from outside to add even more heating efficiency.
5. The easy operation of a single lever burn control regulates primary and secondary air establishing a perfect mixture and providing a clean burn.
6. Primary "bottom air feed" assists in cold start ups and to revive a small, dying fire.
7. Secondary air tube insulated with ceramic fibre and protected with a stainless steel cover plate ensures complete combustion.
8. Wrap around side shields add a delicate balance of elegance and functional practicality helping to disperse heat evenly and reduce clearances to combustibles.
9. Large viewing area through an elegantly arched cast iron door.
10. High heat ceramic glass provides a safe, unobstructed view of the fire.
11. Effective air wash in combination with high temperatures keeps the viewing glass clean.
12. Fully refractory lined firebox, similar to a kiln maintains the interior temperatures necessary to achieve low emissions.
13. Ash dump with self-closing door is readily accessible. (pedestal & cast iron model)
14. Large "king size" functional ash pan (600 cu. inch capacity) with 2 carrying handles lets you conveniently dispose of ashes. (pedestal model)
15. Folding ash pan lid allows for clean, no-mess ash removal. (pedestal model)
16. Cool room air is circulated around the firebox, heated and returned to the room.



## Product Specifications

	Model NZ26	Model 1100/1100L	Model 1100C	Model 1400/1400L	Model 1900	Model Insert 1101	Model Insert 1401
Emissions (grams per hour)	5.4	4.1	4.1	3.7	2.8	4.1	3.7
Width x Height x Depth (inches)	42 <sup>1</sup> / <sub>4</sub> x 44 <sup>1</sup> / <sub>2</sub> x 25 <sup>1</sup> / <sub>2</sub>	25 <sup>1</sup> / <sub>2</sub> x 33 <sup>1</sup> / <sub>4</sub> x 22 <sup>1</sup> / <sub>2</sub>	25 <sup>1</sup> / <sub>2</sub> x 33 <sup>1</sup> / <sub>4</sub> x 22 <sup>1</sup> / <sub>2</sub>	25 <sup>1</sup> / <sub>2</sub> x 33 <sup>1</sup> / <sub>4</sub> x 27	25 <sup>1</sup> / <sub>2</sub> x 33 <sup>1</sup> / <sub>4</sub> x 31 <sup>1</sup> / <sub>2</sub>	25 <sup>1</sup> / <sub>2</sub> x 21 <sup>1</sup> / <sub>4</sub> x 27	25 <sup>1</sup> / <sub>2</sub> x 21 <sup>1</sup> / <sub>4</sub> x 27
Firebox chamber (W.H.D.) (inches)	22 x 10 x 13	18 x 12 x 13 <sup>1</sup> / <sub>2</sub>	18 x 12 x 13 <sup>1</sup> / <sub>2</sub>	18 x 12 x 18	18 x 12 x 22 <sup>1</sup> / <sub>2</sub>	18 x 12 x 13 <sup>1</sup> / <sub>2</sub>	18 x 12 x 18
Firebox capacity	1.7 cu. ft.	1.7 cu. ft.	1.7 cu. ft.	2.25 cu. ft.	3.0 cu. ft.	1.7 cu. ft.	2.25 cu. ft.
Door size (height x width)	19 <sup>1</sup> / <sub>2</sub> x 27 <sup>1</sup> / <sub>4</sub>	14 <sup>3</sup> / <sub>4</sub> x 19 <sup>3</sup> / <sub>4</sub>	14 <sup>3</sup> / <sub>4</sub> x 19 <sup>3</sup> / <sub>4</sub>	14 <sup>3</sup> / <sub>4</sub> x 19 <sup>3</sup> / <sub>4</sub>	14 <sup>3</sup> / <sub>4</sub> x 19 <sup>3</sup> / <sub>4</sub>	14 <sup>3</sup> / <sub>4</sub> x 19 <sup>3</sup> / <sub>4</sub>	14 <sup>3</sup> / <sub>4</sub> x 19 <sup>3</sup> / <sub>4</sub>
Weight without bricks	326 lbs.	215 lbs.	252 lbs.	250 lbs.	285 lbs.	165 lbs.	250 lbs.
Weight of bricks	125 lbs.	90 lbs.	90 lbs.	118 lbs.	85 lbs.	90 lbs.	118 lbs.
App. area heated* (sq. ft.)	1,000-2,000	600-1,500	600-1,500	1,000-2,000	1,000-3,000	600-1,500	1,000-2,000
Heat output BTU/h**	11,500-27,400	11,700-42,200	11,700-42,200	11,400-41,300	11,800-34,000	11,400-42,200	11,400-41,300
Heat output BTU/h (high burn)***	70,000	55,000	55,000	70,000	85,000	55,000	70,000
Burn time (low fire)	9 hours	7 hours	7 hours	9 hours	12 hours	7 hours	9 hours
Catalytic combustor	no	no	no	no	no	no	no
Mobile home approved	yes	yes/ped. only	no	no	no	no	no
R-2000 approved (Canada)	yes	yes	yes	yes	yes	yes	yes
Max. log size	18"	18"	18"	18"	20"	18"	18"
Outside combustion air	yes	yes****	no	yes****	yes	yes	yes
Flue diameter	6"	6"	6"	6"	6"	6"	6"
Flue size-prefabricated	6"	6"	6"	6"	6"	6"	6"

\* Figures may vary with individual conditions please consult your specialty dealer.

\*\* EPA (Environmental Protection Agency) rated BTU/h with softwood test fuel (for emissions only) - no refueling.

\*\*\* Wolf Steel Ltd. own test results showing realistic BTU using hardwood logs with regular refueling. Heat output will differ on chimney draft as well as type, moisture content and size of wood.

\*\*\*\* Pedestal Stoves only

## Accessories

	Model NZ26	Model 1100/1100L	Model 1100C	Model 1400/1400L	Model 1900	Model Insert 1101	Model Insert 1401
Variable speed control	S	0	0	0	0	S	S
Blower kit	0	0	0	0	0	S	S
Solid brass railing kit	-	0/leg only	-	0/leg only	-	-	0
Wall thermostat	0	-	-	-	-	-	-
Black louvres	0	S*	-	S*	S*	-	-
Polished brass louvres	0	-	-	-	-	-	-
24 karat gold plated louvres	0	S*	-	S*	S*	-	-
Black door	0	0	-	0	0	0	0
24 karat gold plated door	0	0	-	0	0	0	0
Black trivet	-	S/ped. only	-	S/ped. only	S	-	-
24 karat gold plated trivet	-	0/ped. only	-	0/ped. only	0	-	-
Cookmate (Pedestal models only)	-	-	-	0	0	-	-
Cast iron surrounds	-	-	-	-	-	0	0
Central heating system	0	-	-	-	-	-	-
Outside combustion air kit	0	0/ped. only	-	0/ped. only	0	-	-
Automatic regulation of burn rate	0	-	-	-	-	-	-
Ash dump/pan	S	S/ped. only	S	S/ped. only	S	-	-
	Standard: S	Optional: 0	Yes: Y	N/A: -			

\* Gold plated louvres are standard on porcelain enamel pedestal units. Black louvres are standard on painted pedestal models. Optional on leg models.

## Other Napoleon Products



Fireplace Inserts



Direct Vent Fireplaces



Oil Stoves



Cast Iron Gas Stoves



High Efficient Gas Stoves



Vent Free Fireplaces



Prestige Fireplaces



Natural Vent Fireplaces



Multi-view Fireplaces

Napoleon stoves are certified for emissions to EPA phase 2 1990 and DEQ 1988 Standards and safety tested by Warnock Hersey to North American Standards, CSA B366.2, ULC S627, ULC S628 and UL 1482. Consult your owner's manual for complete installation instructions and check all local and national building codes. All specifications and designs are subject to change without notice to allow for on-going product improvement. Actual enamel colours might be slightly different as shown in brochure. Patent U.S. 5,307,801, 5,303,693, 75054, 417497 - Can. 2,073,411, 2,082,915, 74589 © Wolf Steel Ltd. Napoleon® is a registered trademark of Wolf Steel Ltd.

Authorized Dealer



Quality Fireplaces

Wolf Steel Ltd.      Wolf Steel USA Inc.  
24 Napoleon Road      Crittenden, Kentucky  
Barrie, ON              USA 41030  
Canada L4M 4Y8

Phone 705-721-1212 • Fax: 705-722-6031  
www.napoleonfireplaces.com  
ask@napoleon.on.ca





Model 1101 painted black with gold plated door and majolica green cast iron surround



Model 1401 with standard painted black flashing

## INNOVATIVE BY DESIGN

The VESTA AWARDS recognize manufacturers who are industry leaders in innovation, design and technology. The VESTA's are awarded at the Hearth Products Association's annual North American industry trade show and are named for the Greek Goddess of the Hearth.

The 1101 Insert won for its unique design, which allows for flush mount or hearth mount installation in either masonry or factory built fireplaces.

Featuring an elegantly designed, full view single door; standard "WHISPER QUIET" heat circulating blower & thermostat sensor; this innovative design transforms small amounts of wood into large amounts of cozy heat.

Customize your 1101 or 1401 Insert with an optional cast iron surround kit, available in a variety of porcelain enamel or painted finishes that will enhance your decor.



Model 1101 painted black with gold plated door and black cast iron surround



Model 1101 painted black with gold plated door and majolica brown cast iron surround

## WOODBURNING AT ITS FINEST

What do you do with your existing inefficient masonry fireplace? Retrofit an efficient Napoleon Woodburning Insert! Through easy operation, you achieve clean burning fires radiating luxurious heat with minimal amount of work and wood, saving you precious time and money! Designed to be the perfect fit, this stylish insert will bring you years of satisfaction and of course ... the beauty of a natural roaring fire with incomparable efficiencies! The Deluxe 1401 INSERT comes standard with 2 powerful heat circulating 200 cfm blowers.



## DUAL VORTEX™ ACTION

To achieve an extraordinary clean burn without a catalytic combustor, horizontal jets of super heated secondary air are mixed with the fire's smoke to burn off released smoke particles. You can actually watch the spirals of secondary flames just below the ceiling during most of the burn.



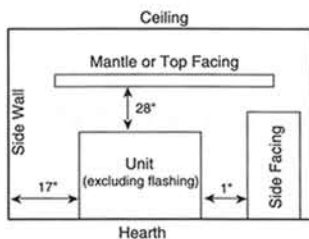
**PORCELAIN ENAMEL:** The glass finish is baked into metal at 1800° Fahrenheit to give you a deep, lustrous, scratch resistant and easy to clean finish lasting a lifetime.



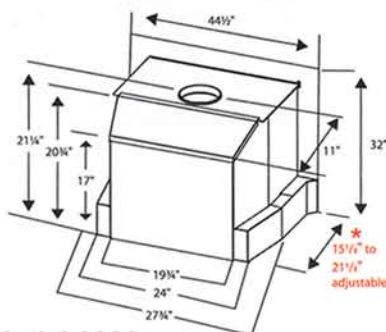
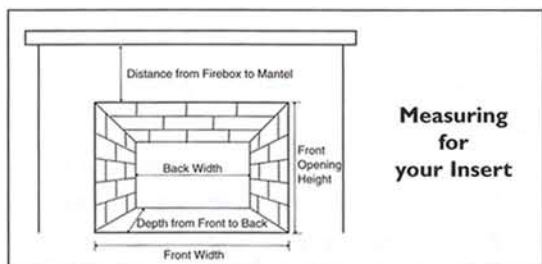
	Midnight Black	Forest Green	Arizona Almond	Majolica Green	Majolica Blue	Majolica Brown	Painted Black
<b>Pedestal Stoves</b>	■	■	■	-	-	-	■
<b>Leg Stoves</b>	-	-	-	-	-	-	■
<b>Cast Iron Stoves</b>	-	-	-	■	-	■	■
<b>Insert 1101</b>	-	-	-	-	-	-	■
<b>Insert 1401</b>	■	■	■	-	-	-	■
<b>Cast Surround</b>	■	-	-	■	■	■	■

### Dimensions & Minimum Clearances - Insert Models 1101 and 1401

#### MIN. CLEARANCES TO COMBUSTIBLES



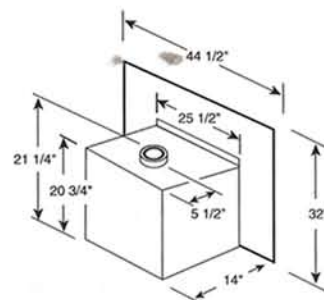
A combustible floor must be protected by a non-combustible material extending 18" to the front of the unit and 8" to the side.



**Model 1101**

Min. Fireplace Opening:  
28"W x 21 1/4"H x 16"D  
Overall dimension with cast iron surround  
42 1/2"W x 28 1/8"H

\*To allow for shallow fireplace openings - Insert adjusts up to 5", from 15 1/8" to 20 1/8" in depth



**Model 1401**

Min. Fireplace Opening:  
26"W x 22"H x 14"D  
Overall dimension with cast iron surround  
54"W x 32"H

### Minimum Stove Clearances

With single wall chimney connector from stove to combustibles

	Corner	Rear	Sides
<b>1100 / 1100L / 1100C</b>	6"	10"	12"
<b>1400 &amp; 1400L</b>	6"	12"	12"
<b>1900</b>	8"	12"	22"

With approved double wall pipe from stove to combustibles

	Corner	Rear	Sides
<b>1100 / 1100L / 1100C</b>	2"	6"	12"
<b>1400 &amp; 1400L</b>	6"	12"	12"
<b>1900</b>	8"	12"	22"

### Dimensions and Minimum Clearances to Combustibles - Model NZ26

Minimum fireplace	0" to stand offs - top, rear and sides
Min.-top of unit to ceiling	Vented enclosure 32 1/2", non-vented enclosure 44 1/2"
Chimney (factory built)	2"
Hot air gravity duct work	1"
Min. ceiling height	6 ft. if installed without ducting, 7 ft. if installed with ducting
Mantle to top of door	24" (mantle protruding 2")

